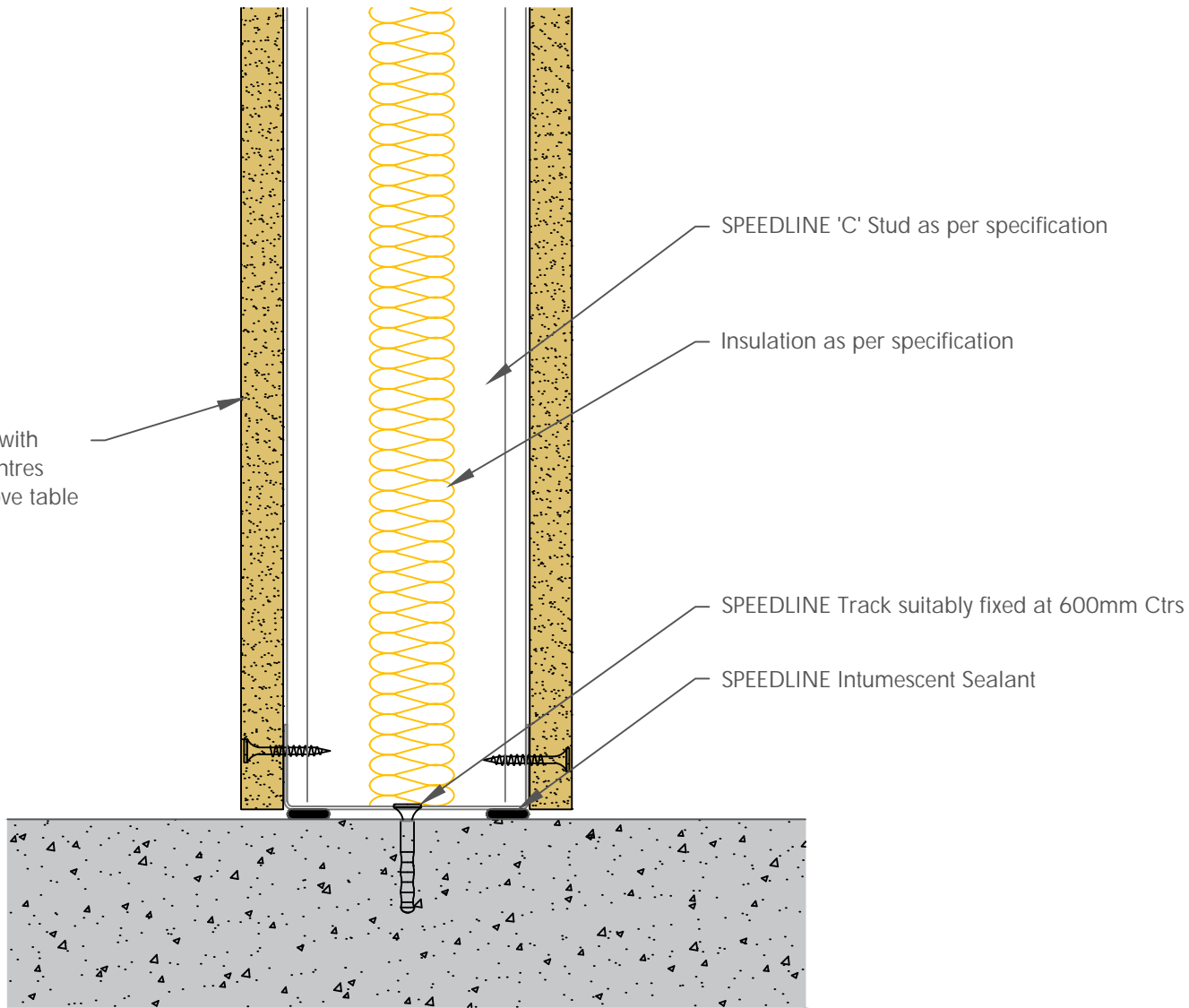


| Board Thickness | Speedline Drywall Fixing Length |
|-----------------|---------------------------------|
| 12.5mm & 15mm   | 25mm                            |
| 12.5mm + 12.5mm | 25mm + 38mm                     |
| 12.5mm + 15mm   | 25mm + 42mm                     |
| 15mm + 15mm     | 25mm + 42mm                     |

One layer of Gypsum Plasterboard fixed with SPEEDLINE Drywall Screws at 300mm centres (200mm at external angles). Refer to above table for fixing lengths



All performance data and system specifications are for systems constructed with materials & components as shown. The inclusion or substitution of any other manufacturers materials or components could invalidate test data and system performance and permission must be given in writing by SIG PLC.

The information is provided in good faith and is based upon details received which are assumed to include all relevant facts.

We accept no liability for its accuracy, adequacy or completeness. Recipients must satisfy themselves as to its suitability as we do not accept responsibility for any claims or consequential loss. Acceptance of the content and subsequent design responsibility rests entirely with the recipients who should then produce accepted details on their own company documentation.

CDR No: 231

SCALE: NTS

DATE: 07/02/19

C STUD  
BASE DETAIL  
SINGLE LAYER  
7012StIns

Details to be read in conjunction with project specification guidelines

Adsetts House,  
16 Europa View,  
Sheffield Business Park,  
Sheffield,  
S9 1XH.

T: 0114 231 8030

E: enquiries@speedlinedrywall.co.uk



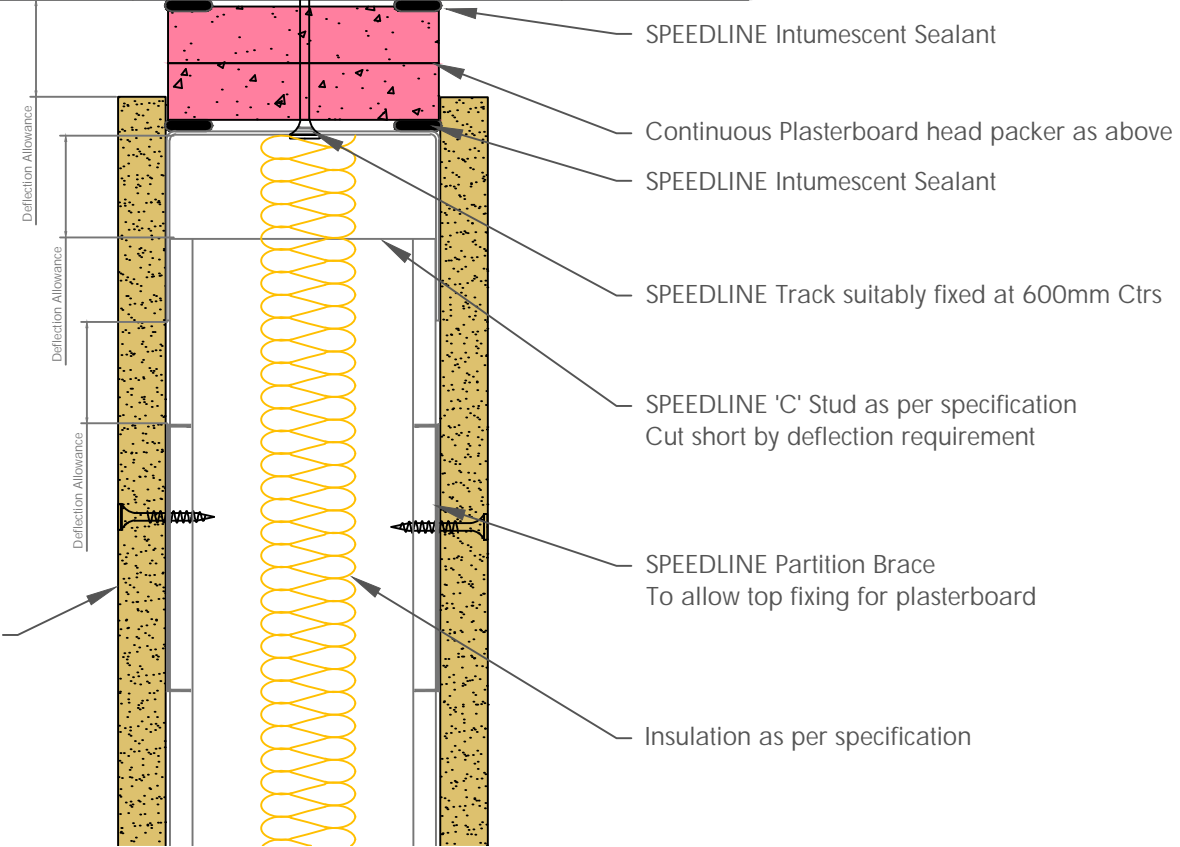
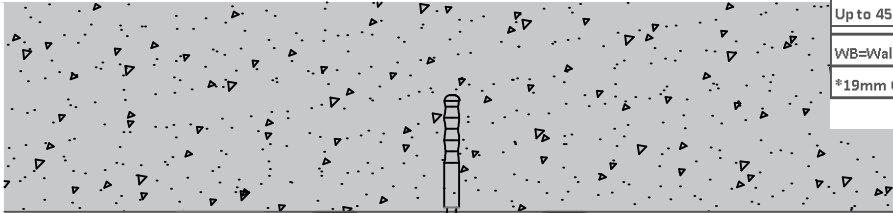
| Board Thickness | Speedline Drywall Fixing Length |
|-----------------|---------------------------------|
| 12.5mm & 15mm   | 25mm                            |
| 12.5mm + 12.5mm | 25mm + 38mm                     |
| 12.5mm + 15mm   | 25mm + 42mm                     |
| 15mm + 15mm     | 25mm + 42mm                     |

DO NOT SCREW FIX THE PLASTERBOARD TO THE STUD OR TRACK ABOVE PARTITION BRACE.  
DO NOT FIX STUDS TO HEAD TRACKS AS THIS WILL STOP DEFLECTION HEAD FROM MOVING

| HEAD PACKER THICKNESS PER DEFLECTION ALLOWANCE |            |                  |                      |                      |
|--|------------|------------------|----------------------|----------------------|
| Head Packers by Fire Rating                    |            |                  |                      |                      |
| Deflection                                     | Head Track | 30 Mins          | 60Mins               | 90 & 120Mins         |
| Up to 15mm                                     | SPEDT      | Min 2x12.5mm WB* | Min 2x12.5mm SR*     | Min 2x12.5mm FR*     |
| Up to 25mm                                     | SPEDT      | Min 2x15mm WB    | Min 2x15mm SR        | Min 2x15mm FR        |
| Up to 30mm                                     | SPEDT      | Min 3x12.5mm WB  | Min 3x12.5mm SR      | Min 3x12.5mm FR      |
| Up to 40mm                                     | SPXDT      | Min 3x15mm WB    | Min 3x15mm SR        | Min 3x15mm FR        |
| Up to 45mm                                     | SPXDT      | Min 3x19PlankWB  | Min 3x19mm Coreboard | Min 3x19mm Coreboard |

WB=Wallboard    SR=Sound Resistant Board    FR=Fire Resistant Board (Type F)

\*19mm Core board can be used as a single or multiple layers in all the above build-ups



One layer of Gypsum Plasterboard fixed with SPEEDLINE Drywall Screws at 300mm centres (200mm at external angles). Refer to above table for fixing lengths

All performance data and system specifications are for systems constructed with materials & components as shown. The inclusion or substitution of any other manufacturers materials or components could invalidate test data and system performance and permission must be given in writing by SIG PLC.

The information is provided in good faith and is based upon details received which are assumed to include all relevant facts.

We accept no liability for its accuracy, adequacy or completeness. Recipients must satisfy themselves as to its suitability as we do not accept responsibility for any claims or consequential loss. Acceptance of the content and subsequent design responsibility rests entirely with the recipients who should then produce accepted details on their own company documentation.

CDR No: 233    SCALE: NTS    DATE: 07/02/19

C STUD  
DEFLECTION HEAD DETAIL UP TO 30 MINUTES  
SINGLE LAYER  
7012StIns

Details to be read in conjunction with project specification guidelines

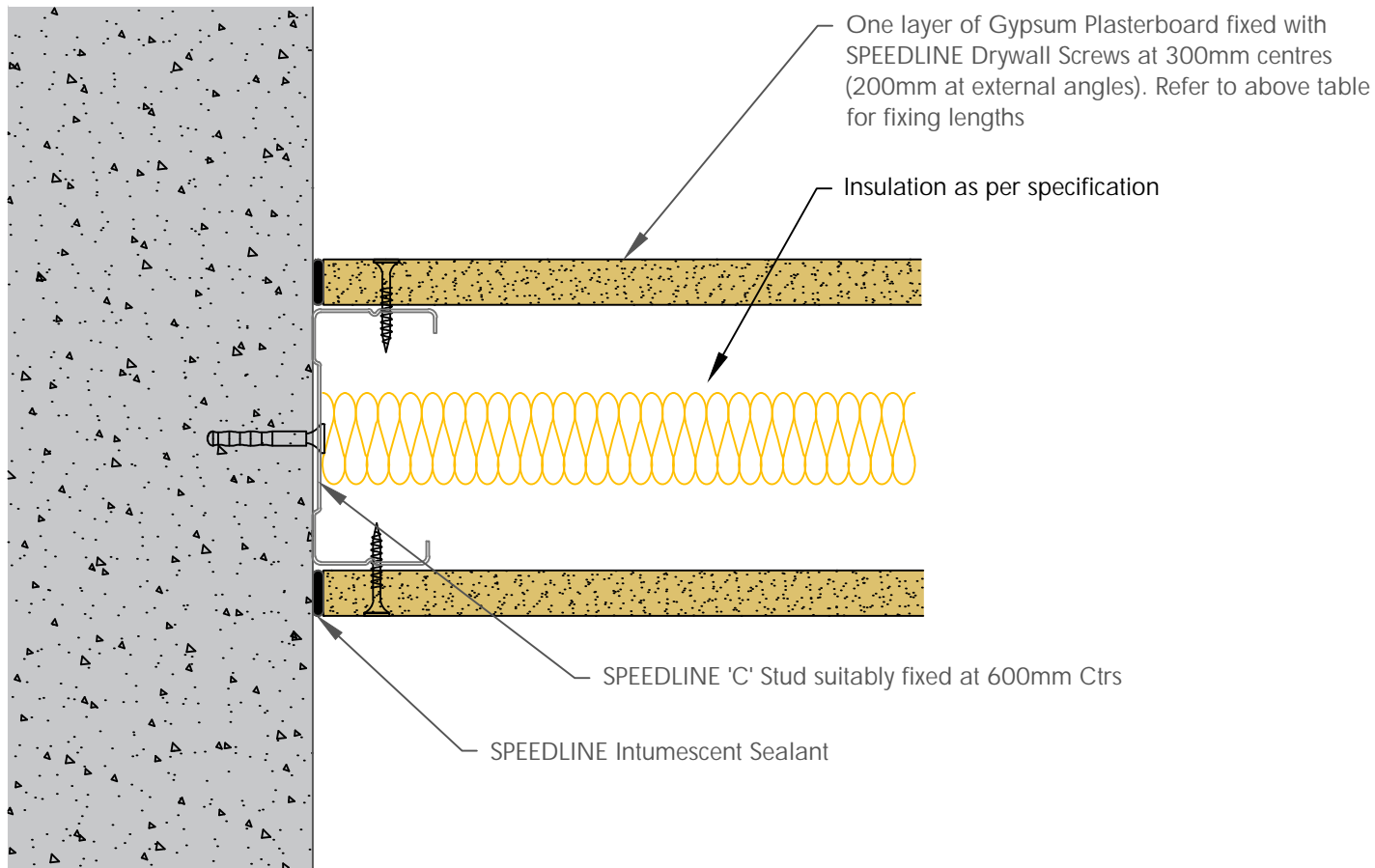
Adsetts House,  
16 Europa View,  
Sheffield Business Park,  
Sheffield,  
S9 1XH.

T: 0114 231 8030

E: enquiries@speedlinedrywall.co.uk



| Board Thickness | Speedline Drywall Fixing Length |
|-----------------|---------------------------------|
| 12.5mm & 15mm   | 25mm                            |
| 12.5mm + 12.5mm | 25mm + 38mm                     |
| 12.5mm + 15mm   | 25mm + 42mm                     |
| 15mm + 15mm     | 25mm + 42mm                     |



All performance data and system specifications are for systems constructed with materials & components as shown. The inclusion or substitution of any other manufacturers materials or components could invalidate test data and system performance and permission must be given in writing by SIG PLC.

The information is provided in good faith and is based upon details received which are assumed to include all relevant facts.

We accept no liability for its accuracy, adequacy or completeness. Recipients must satisfy themselves as to its suitability as we do not accept responsibility for any claims or consequential loss. Acceptance of the content and subsequent design responsibility rests entirely with the recipients who should then produce accepted details on their own company documentation.

CDR No: 235

SCALE: NTS

DATE: 07/02/19

C STUD  
WALL JUNCTION DETAIL  
SINGLE LAYER  
7012StIns

Details to be read in conjunction with project specification guidelines

Adsetts House,  
16 Europa View,  
Sheffield Business Park,  
Sheffield,  
S9 1XH.

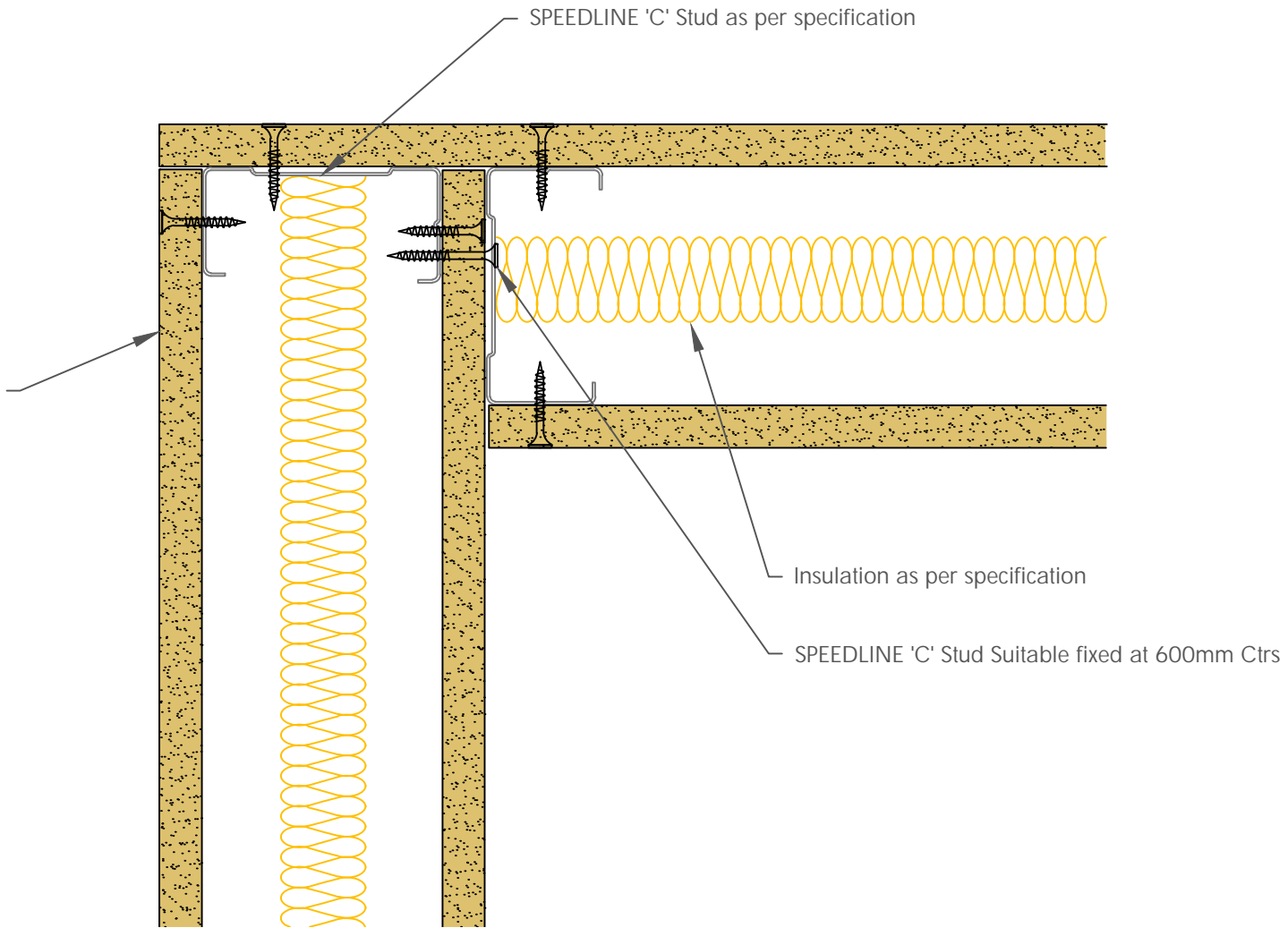
T: 0114 231 8030

E: enquiries@speedlinedrywall.co.uk



| Board Thickness | Speedline Drywall Fixing Length |
|-----------------|---------------------------------|
| 12.5mm & 15mm   | 25mm                            |
| 12.5mm + 12.5mm | 25mm + 38mm                     |
| 12.5mm + 15mm   | 25mm + 42mm                     |
| 15mm + 15mm     | 25mm + 42mm                     |

One layer of Gypsum Plasterboard fixed with SPEEDLINE Drywall Screws at 300mm centres (200mm at external angles). Refer to above table for fixing lengths



All performance data and system specifications are for systems constructed with materials & components as shown. The inclusion or substitution of any other manufacturers materials or components could invalidate test data and system performance and permission must be given in writing by SIG PLC.

The information is provided in good faith and is based upon details received which are assumed to include all relevant facts.

We accept no liability for its accuracy, adequacy or completeness. Recipients must satisfy themselves as to its suitability as we do not accept responsibility for any claims or consequential loss. Acceptance of the content and subsequent design responsibility rests entirely with the recipients who should then produce accepted details on their own company documentation.

|   |            |                |
|---|------------|----------------|
| CDR No: 232   | SCALE: NTS | DATE: 07/02/19 |
| C STUD<br>CORNER DETAIL<br>SINGLE LAYER<br>7012StIns                    |            |                |
| Details to be read in conjunction with project specification guidelines |            |                |

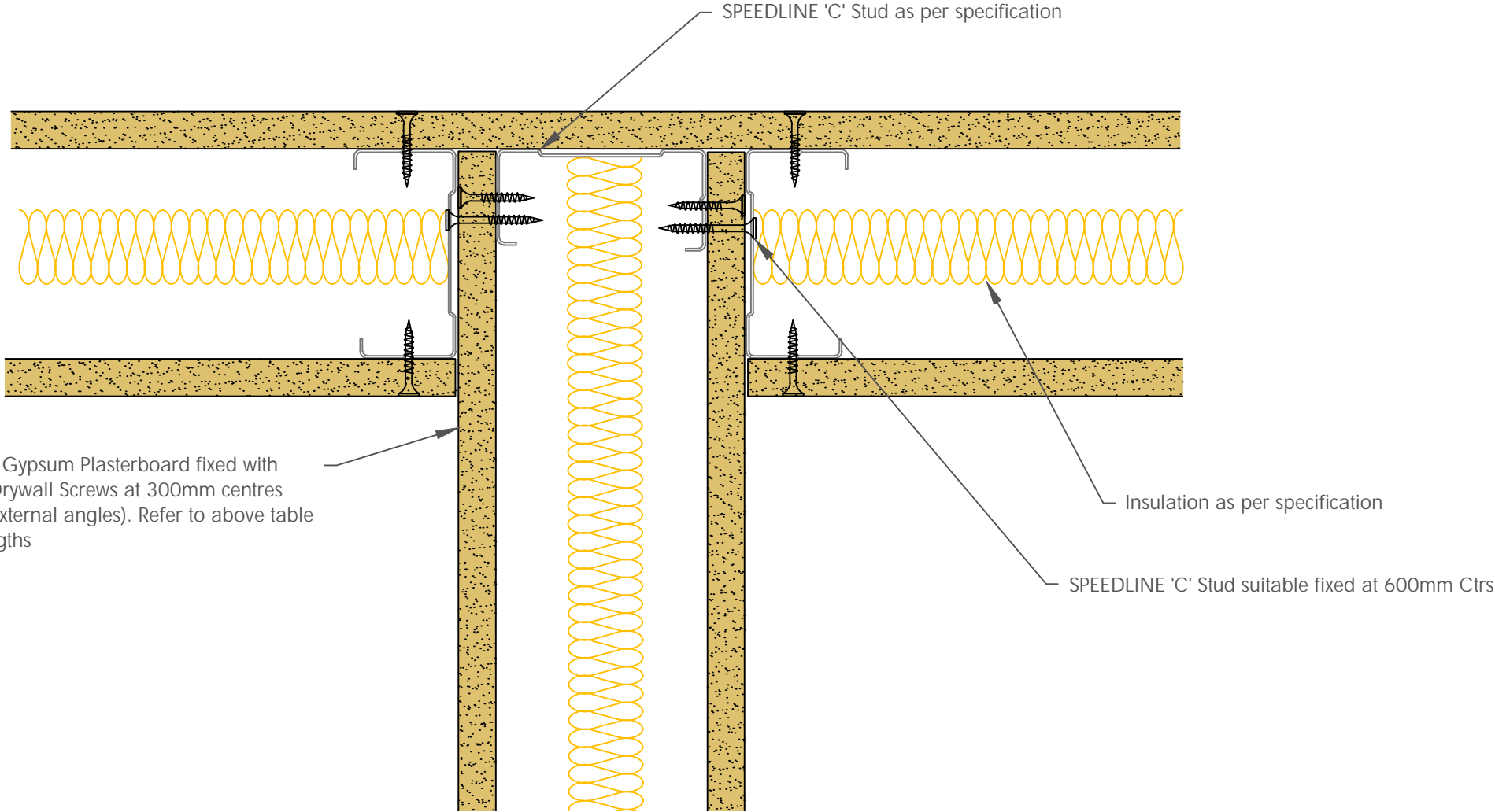
Adsetts House,  
16 Europa View,  
Sheffield Business Park,  
Sheffield,  
S9 1XH.

T: 0114 231 8030

E: enquiries@speedlinedrywall.co.uk



| Board Thickness | Speedline Drywall Fixing Length |
|-----------------|---------------------------------|
| 12.5mm & 15mm   | 25mm                            |
| 12.5mm + 12.5mm | 25mm + 38mm                     |
| 12.5mm + 15mm   | 25mm + 42mm                     |
| 15mm + 15mm     | 25mm + 42mm                     |



All performance data and system specifications are for systems constructed with materials & components as shown. The inclusion or substitution of any other manufacturers materials or components could invalidate test data and system performance and permission must be given in writing by SIG PLC.

The information is provided in good faith and is based upon details received which are assumed to include all relevant facts.

We accept no liability for its accuracy, adequacy or completeness. Recipients must satisfy themselves as to its suitability as we do not accept responsibility for any claims or consequential loss. Acceptance of the content and subsequent design responsibility rests entirely with the recipients who should then produce accepted details on their own company documentation.

CDR No: 230

SCALE: NTS

DATE: 07/02/19

C STUD  
ACOUSTIC T JUNCTION DETAIL  
SINGLE LAYER  
7012StIns

Details to be read in conjunction with project specification guidelines

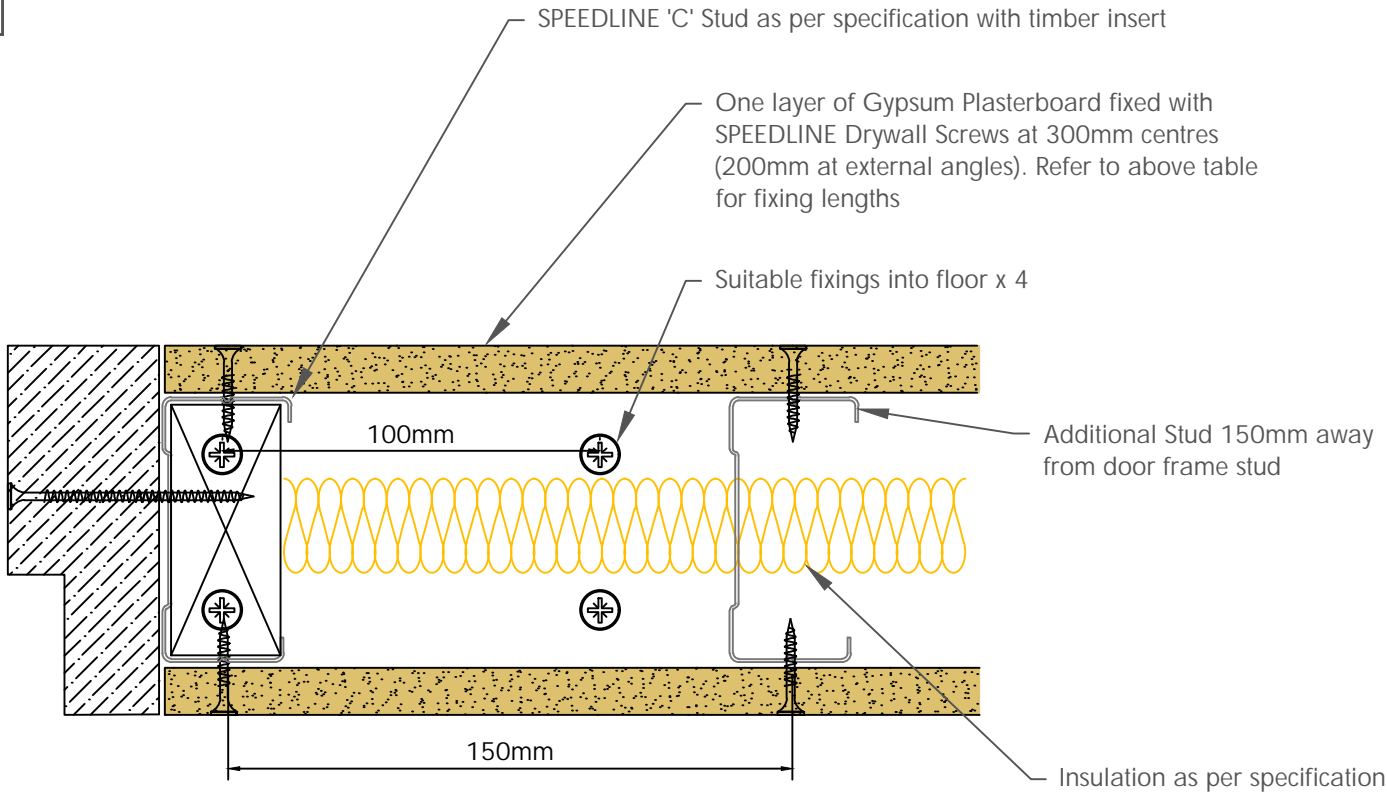
Adsetts House,  
16 Europa View,  
Sheffield Business Park,  
Sheffield,  
S9 1XH.

T: 0114 231 8030

E: enquiries@speedlinedrywall.co.uk



| Board Thickness | Speedline Drywall Fixing Length |
|-----------------|---------------------------------|
| 12.5mm & 15mm   | 25mm                            |
| 12.5mm + 12.5mm | 25mm + 38mm                     |
| 12.5mm + 15mm   | 25mm + 42mm                     |
| 15mm + 15mm     | 25mm + 42mm                     |



To be read in conjunction with door manufacturers details & information

All performance data and system specifications are for systems constructed with materials & components as shown. The inclusion or substitution of any other manufacturers materials or components could invalidate test data and system performance and permission must be given in writing by SIG PLC.

The information is provided in good faith and is based upon details received which are assumed to include all relevant facts.

We accept no liability for its accuracy, adequacy or completeness. Recipients must satisfy themselves as to its suitability as we do not accept responsibility for any claims or consequential loss. Acceptance of the content and subsequent design responsibility rests entirely with the recipients who should then produce accepted details on their own company documentation.

|   |            |                |
|---|------------|----------------|
| CDR No: 234A  | SCALE: NTS | DATE: 07/02/19 |
| C STUD<br>DOOR UP TO 25 Kgs<br>SINGLE LAYER<br>7012StIns                |            |                |
| Details to be read in conjunction with project specification guidelines |            |                |

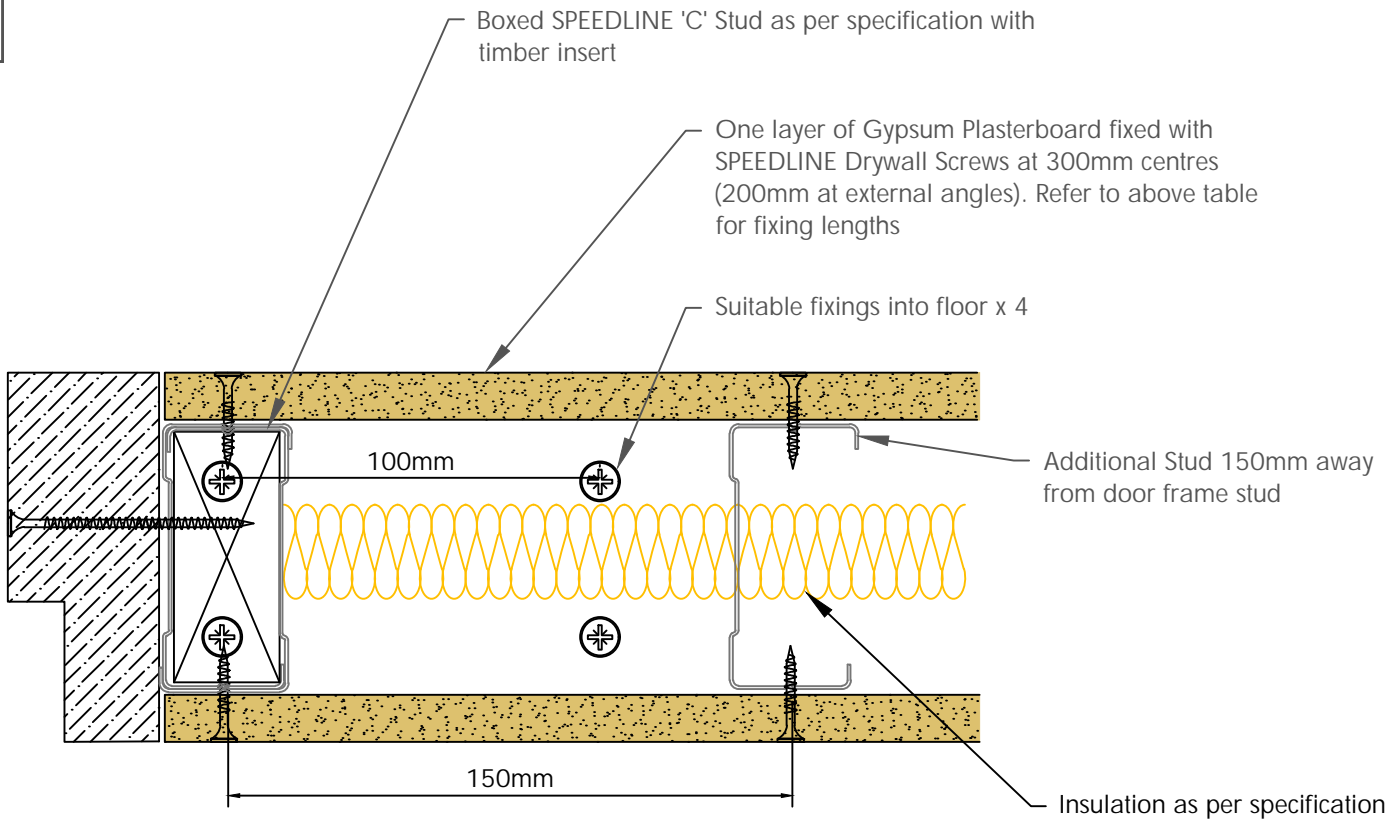
Adsetts House,  
16 Europa View,  
Sheffield Business Park,  
Sheffield,  
S9 1XH.

T: 0114 231 8030

E: enquiries@speedlinedrywall.co.uk



| Board Thickness | Speedline Drywall Fixing Length |
|-----------------|---------------------------------|
| 12.5mm & 15mm   | 25mm                            |
| 12.5mm + 12.5mm | 25mm + 38mm                     |
| 12.5mm + 15mm   | 25mm + 42mm                     |
| 15mm + 15mm     | 25mm + 42mm                     |



To be read in conjunction with door manufacturers details & information

All performance data and system specifications are for systems constructed with materials & components as shown. The inclusion or substitution of any other manufacturers materials or components could invalidate test data and system performance and permission must be given in writing by SIG PLC.

The information is provided in good faith and is based upon details received which are assumed to include all relevant facts.

We accept no liability for its accuracy, adequacy or completeness. Recipients must satisfy themselves as to its suitability as we do not accept responsibility for any claims or consequential loss. Acceptance of the content and subsequent design responsibility rests entirely with the recipients who should then produce accepted details on their own company documentation.

|   |            |                |
|---|------------|----------------|
| CDR No: 234H  | SCALE: NTS | DATE: 07/02/19 |
| C STUD<br>DOOR UP TO 60 Kgs<br>SINGLE LAYER<br>7012StIns                |            |                |
| Details to be read in conjunction with project specification guidelines |            |                |

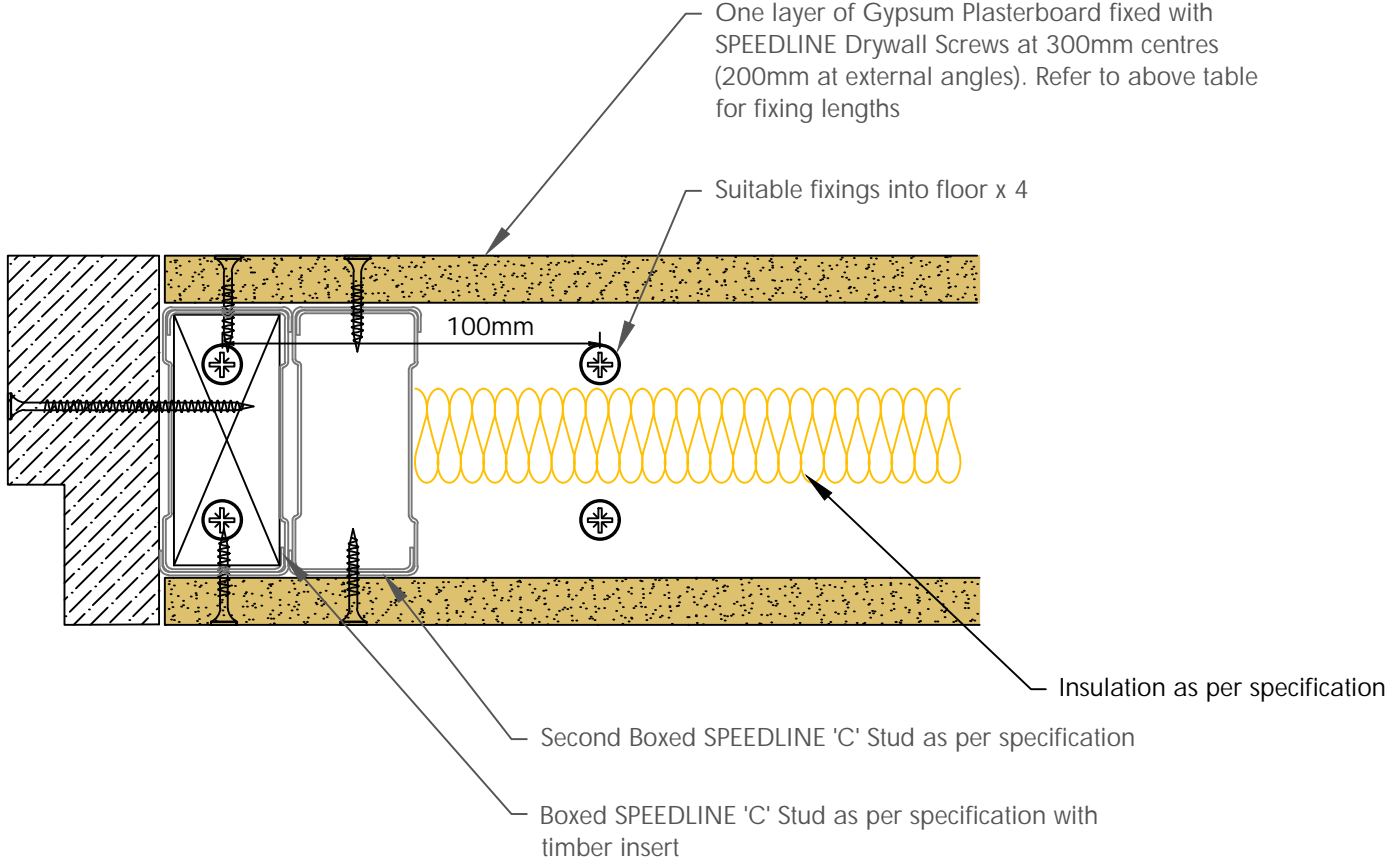
Adsetts House,  
16 Europa View,  
Sheffield Business Park,  
Sheffield,  
S9 1XH.

T: 0114 231 8030

E: enquiries@speedlinedrywall.co.uk



| Board Thickness | Speedline Drywall Fixing Length |
|-----------------|---------------------------------|
| 12.5mm & 15mm   | 25mm                            |
| 12.5mm + 12.5mm | 25mm + 38mm                     |
| 12.5mm + 15mm   | 25mm + 42mm                     |
| 15mm + 15mm     | 25mm + 42mm                     |



To be read in conjunction with door manufacturers details & information

All performance data and system specifications are for systems constructed with materials & components as shown. The inclusion or substitution of any other manufacturers materials or components could invalidate test data and system performance and permission must be given in writing by SIG PLC.

The information is provided in good faith and is based upon details received which are assumed to include all relevant facts.

We accept no liability for its accuracy, adequacy or completeness. Recipients must satisfy themselves as to its suitability as we do not accept responsibility for any claims or consequential loss. Acceptance of the content and subsequent design responsibility rests entirely with the recipients who should then produce accepted details on their own company documentation.

|   |            |                |
|---|------------|----------------|
| CDR No: 234F  | SCALE: NTS | DATE: 07/02/19 |
| C STUD<br>DOOR UP TO 100 Kgs<br>SINGLE LAYER<br>7012StIns               |            |                |
| Details to be read in conjunction with project specification guidelines |            |                |

Adsetts House,  
16 Europa View,  
Sheffield Business Park,  
Sheffield,  
S9 1XH.

T: 0114 231 8030

E: enquiries@speedlinedrywall.co.uk

